



Roller shutter doors and insect
screens systems
OVERVIEW

ALUPROF

EUROPEAN SYSTEM SUPPLIER OF ROLLER SHUTTERS,
GATES AND INSECT SCREENS



2 ARKA – WITH PASSION FOR HOMES

- 6 **ECO MEANS ECONOMIC** energy-efficient building
- 7 **BUILDING ENERGY USE** thermal conditions
- 9 **SOLUTIONS**

10 ROLLER SHUTTERS

- 11 **Three advantages of rollers shutters**
- 12 **SK, SKE & SKP** front mounted systems
- 14 **SKO & SKO-P** front mounted systems
- 16 **SP & SP-E** flush mounted system
- 18 **SKT OPOTERM** top mounted system
- 20 **s_onro®** curtain
- 22 **SKEF** venetian blind system
- 24 **Roller shutters and security issues**
- 26 **ANTI-BURGLARY ROLLER SHUTTER SYSTEM**



28 INSECT SCREENS

- 29 **Effective protection against insects**
- 30 **MZN** roll-up insect screen system
- 32 **MZH** roll-up insect screen system
- 34 **MRS** fixed insect screen system
- 36 **MRSZ** fixed insect screen system
- 38 **MRO** hinged insect screen system
- 40 **MRP** sliding insect screen system
- 42 **MPH Harmony** insect screen system – **NEW**

ANTI-BURGLARY



MZN



MZH



MRS & MRSZ



MRO



MRP



MPH



44 GATE AND SECURITY GRILLES SYSTEMS

- 45 **Garage doors – security on a broader scale**
- 46 **BGR** garage door
- 48 **BPR** industrial gate
- 50 **BKR** commercial gates

BGR



BPR



BKR



52 MB-SUNSHADES shutter system

54 TEXTILE SHUTTER SYSTEM

- 55 **Individual character of the interior**
- 56 **SRT SPACE** textile shutter system – **NEW**
- 58 **SRT FLAT** textile shutter system – **NEW**
- 60 **SRT FREE** textile shutter system – **NEW**

MB-SUNSHADES



SRT SPACE



SRT FLAT



SRT FREE



62 ZENPRO SMARTCONTROL

64 EAH AIR INLET

65 OPERATORS, SECURITY DEVICES AND ACCESSORIES

66 OUR PROFILES for roller shutters, gates and security grilles

67 AVAILABLE PROFILE COLOURS

Aluprof – passionate about roller shutters

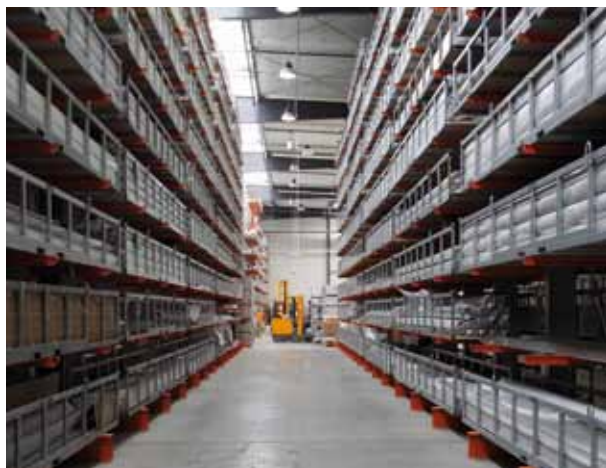


ABOUT US

Aluprof S.A. belongs to the Capital Group Kęty S.A. The company is one of the leading manufacturers of aluminium systems in Europe. The company has its branch offices in the Czech Republic, Germany, Belgium, Romania, Great Britain, Belgium, Netherlands, Hungary, Ukraine as well as in Denmark and USA. With over 50 years of experience and annual sales revenues exceeding 230 M EUR, Aluprof S.A. has over 1,300 regular clients. Exports account for 36% of total sales. The company employs more than 2,000 employees. Aluprof S.A. manufacturing plants are located in Bielsko-Biała, Opole, Goleiszów and Złotów, and have a surface area of over 220 K m², and a modern equipment.

Product quality is a primary value for Aluprof, so the engineers of Aluprof are constantly developing technologically advanced solutions, meeting the needs of modern building industry in the field of energy efficiency and design flexibility. The company implemented the ISO 9001-2001 quality management system, which ensures compatibility of the offered products with European standards.

Aluprof has its own, independent Research & Innovation Centre (CBI) to carry out testing according to the European (EN) and American (ASTM, AAMA) standards in collaboration with numerous notified bodies. CBI also includes the largest test chamber for windows, doors, curtain walls and exterior roller shutters (air, water & wind load resistance testing) in Central and Eastern Europe.



From its very beginning, the company, as all companies belonging to Grupa Kęty, has been trying to help those who are the most in need. To this end, the Foundation "Grupa Kęty Dzieciom Podbeskidzia" was established in order to support children from childcare centres and promotes the idea of foster family care.

The Kęty S.A. capital group is a leader in the aluminium industry in Poland. The holding is comprised of 25 companies that operate both in Poland and abroad. Every year they process nearly 72,000 tonnes of raw aluminum. Among the 3,300 recipients of the Group there are multinational companies, large and medium-sized enterprises as well as wholesalers representing virtually all branches of industry, including construction, automotive, mechanical and electrical engineering and food industry.



TECHNICAL SUPPORT DEPARTMENT



The Technical Support Department provides our business partners with technological support and consultation in resolving technical issues, provides technical expertise in the use of new systems, construction and calculation software, training of technical personnel and information on our products. The task of the department is also providing advice and assistance in the selection of systems, specifications, technical drawings and detail design.

The mission of the department is to promote Aluprof solutions among architects, support and advise architects on design and construction processes, as well as provide technical assistance in solving problems.

The specialists working in the department are fully available to architects, manufacturers of aluminium roller shutters and gates. Should you have any questions or doubts, the department staff will give all the necessary information. Contacts are available at www.shutters.aluprof.eu in the Contact tab.





DEVELOPMENT DEPARTMENT

In its activities, Aluprof S.A. strives to continuously improve the quality of its products.

Expertise of the firm lies in its technical know-how. Trained staff of specialists work on the cutting edge technology solutions and strive to improve the usability and functioning of Aluprof S.A. systems.

The high quality of our systems is founded on the creative work of our Design Department. Taking into account comments and suggestions of our Customers, the Design Department develops new elements of the roller shutter, gate and insert screen systems, conducts research and monitors quality at every production stage.



ROLLER-BOX AND PROFILE PRODUCTION

Aluprof Opole produces roller profiles using modern and fully automated DREISTERN and DALLAN production lines. Those machines provide high performance and repeatability of shapes. The profiles are produced in the process of roll forming. Depending on the equipment used, it is possible to produce 8 types (sizes) of profiles.

Producing roller-boxes, which consists of profiling sheet edges and giving desired shape to both components of the roller-box, is carried out in two stages. Both processes are performed automatically and controlled by computer.

Aluprof S.A. offers roller-boxes in a variety of sizes and shapes that meet the highest requirements of our Customers.



POWDER COATING



Both Aluprof's manufacturing plants have a modern powder paint shop with high performance, fully automated lines, equipped with Fast Colour Change Powder Booth Systems and with a vertical paint shop. Thanks to its additional manual powder coating line, the company can quickly adapt to Customer requirements, depending on the size and the date of the order. The company focuses on environmentally friendly solutions, using non-toxic formulations and applying chromium-free aluminium treatment process. "Sandwich" type booth, power supply and powder recovery system allows an effective use of paint and quick colour changes.

The whole painting process is computer controlled, which ensures stability and reproducibility of the coating parameters, including coating thickness. The effectiveness of monitoring of the coating parameters is confirmed by Qualicoat and Seaside certificates, plus certificates from many other powder coating manufacturers.

Our offer includes all types of powder coatings RAL, NCS colour charts, ATEC system & paints with extended warranty, – DECORAL wood grain surfaces, – painting of metal sheets 1250 x 3000 mm, – two-layer system (primer + paint) recommended in "basin, maritime".

Aluprof powder paint shop performance amounts to 7 M m² per year. Maximum dimensions: L 7200 mm; H 500 mm; weight of suspended material up to 300 kg. In the offer there are anodized profiles Aluprof, in a rich range of colours. Profiles can also have brushing & shot blasting effect. The quality of the coating has a Qualanod certificate.





CENTRE FOR RESEARCH & INNOVATION

Aluprof has its own independent Centre For Research & Innovation, which carries out testing according to the European (EN) and American (ASTM, AAMA) standards in collaboration with numerous notified bodies. CRI specializes in the following areas:

Air, water and wind load resistance

- air permeability
- water tightness
- wind loads









Safety & durability testing

- mechanical tests
- impact resistance tests
- burglar resistance tests RC1, RC2, RC3
- resistance to repeated opening and closing

CRI also includes the largest test chamber for windows, doors, curtain walls and exterior roller shutters (air, water & wind load resistance testing) in Central and Eastern Europe. The objects tested in the chamber can be up to 6,5 m high and 6 m wide.

Recently, the chamber was modernized and equipped with modern software adapted to the standards of the Institute IFT Rosenheim, which allowed Aluprof to establish a closer cooperation with this prestigious organization. The agreement signed by both organizations enables Aluprof to carry out ITT testing for its own account and for the account of its customers under the supervision of IFT Rosenheim. This solution is very cost and time-effective and eliminates the logistical costs associated with the transport of constructions to Germany, while providing shorter deadlines for testing and documents, and a direct support to customers during the tests.



 air permeability	 wind load resistance
 water resistance	 soft heavy body impact
 operating forces	 resistance to burglary
 resistance to repeated opening and closing	 mechanical resistance



TRAINING CENTRE



Prototype facility, Training center, Service group – to our business partners, we offer technological support and technical consultations to overcome technical problems both at Aluprof premises and on-site.

In addition, we support our Customers by telephone, e-mail, and most importantly, we offer external training along with theoretical and practical trainings that take place regularly at Aluprof in Opole.

All new solutions marketed by Aluprof are first performed in the Prototype facility, then Customers are trained in the fine performance of complete products based on pre-configured system components. Visits at the customer's premises offer even more training opportunities as the employees work at their own workplaces, with their own tools. During the visit, the cooperating companies receive detailed information on the optimal organization of the workshop and on well-defined operating rules.

Thanks to this co-operation, Customers achieve greater productivity by eliminating errors, checking machines or just getting advices on prefabrication, which ensures trouble-free operation afterwards.

Service group is flexible and knows how to quickly respond to all demands for service reported.

Aluprof Service group is a qualified and Customer friendly crew.

ACCESORIES

Aluprof S.A. offer includes a full range of accessories that are necessary for the production of roller shutters and garage doors.

Flexible solutions and ease of use are the watchwords which became our motto in designing roller shutter & gate systems drives. That's why we give you the opportunity to choose your favourite method of opening / closing your sunshades and garage doors.

Depending on the users' needs, roller shutters can be controlled manually or by an electric drive via a wall-mounted transmitter or remote control. Smart control via computer, tablet or smartphone is also an option.



ALUPROF_ROLLER SHUTTERS SOFTWARE

At Aluprof we offer specialized software to help customers to fabricate aluminium products based on our systems.

ALUPROF_ROLLER SHUTTERS software is intended for use by ALUPROF customers to assist them in the design and sale of roller shutter, gate and insect screen systems.

Our software features:

- offering,
- ordering,
- quotation,
- costs of the material used,
- roller shutters design,
- list of materials,
- cutting optimisation,
- production order print.



LOGISTICS

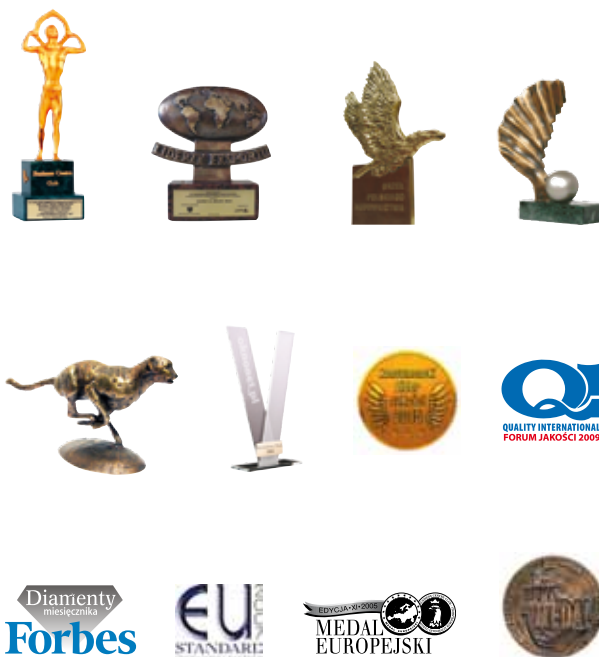
We value our Customers' time. That is why, a well-functioning logistics is the key element of our success. A better and more efficient supply chain is our priority.



ALUPROF – QUALITY LEADER

Aluprof received a number of awards and distinctions:

Business Cheetah 2016, 5 Year Consumer Leader of Quality, Creator of the Construction 2016, Joinery Market Leader 2016, Forbes Diamonds 2016, Joinery Market Leader 2015, Poland's Economy Ambassador, Golden Consumer Leader of Quality, Double Golden Construction Brand of the Year (roller shutters & aluminium window profiles) Business Cheetahs 2014, Effective Company 2014, Golden Seven of the Construction Industry (roller shutters) Market Leader 2014, Eagles of the Polish Construction Industry, Pearl of Polish Economy 2015.





ECO - MEANS ECONOMIC WITH ROLLER SHUTTERS

The essence of the energy-efficient building is to minimise energy loss. Here, each stage is of importance, whether we choose a right plot, a suitable project, and this until the very last details such as installing window sills. Low energy house is, first of all, a perfectly insulated house that prevents heat from escaping. To encourage the Poles to build ecologically and economically, the National Fund for Environmental Protection and Water Management (NFOSiGW) has launched a program of subsidized loans for energy-efficient houses. The amount of a single "grant" can be up to zł 50 000 with tax for buildings that achieve the assumed energy standard NF15 - EuCO 15 kWh / (m² per year), or passive houses. The bonus is paid upon completion of construction and confirmation that the building complies with the relevant parameters.

All the more reason to capitalise on a house that will reduce energy consumption for heating, lighting and air conditioning, being at the same time more friendly for us and for our planet.

So far, roller shutters have often been considered as a luxurious and decorative element, yet lacking the essential functions. Roller shutters significantly contribute to the reduction of heat loss in winter, while in summer, they protect effectively the interior from overheating, reducing the consumption of additional cooling equipment. In addition, external roller shutters are a practical system that protects our privacy.

External roller shutters are far more effective than ordinary curtains or venetian blinds – thanks to its design, between the surface of the window and the curtain, there is air pocket which is an excellent supplementary insulator. If we leave roller shutters closed all day long in the evening we can enjoy a pleasant coolness.

**RECOMMENDED
FOR ENERGY-EFFICIENT
CONSTRUCTIONS**



ALUPROF S.A. co-operates with Poland's Passive House and Renewable Energy Institute and has a status of "Passive Housing Ambassador". In our development activities, we put strong emphasis on thermal insulation and excellent technical parameters of our products. That is why Aluprof's systems are often used in sustainable building, and the list of certified facilities that have used our products or for which they were specifically designed just gets longer and longer. These solutions are brought up as early as the design stage for the facilities for which the investors are willing to apply for such a certificate.



One of the goals of modern business is to care for the environment. Polyurethane foam used in our profiles is free of CFC compounds, and the paint used to coat the components we manufacture do not contain cadmium or lead. By introducing environmentally clean products and technologies, we express our concern for the environment and a desire to be in harmony with the tasks to protect it.



CERTIFIED THE PASSIVE HOUSE INSTITUTE

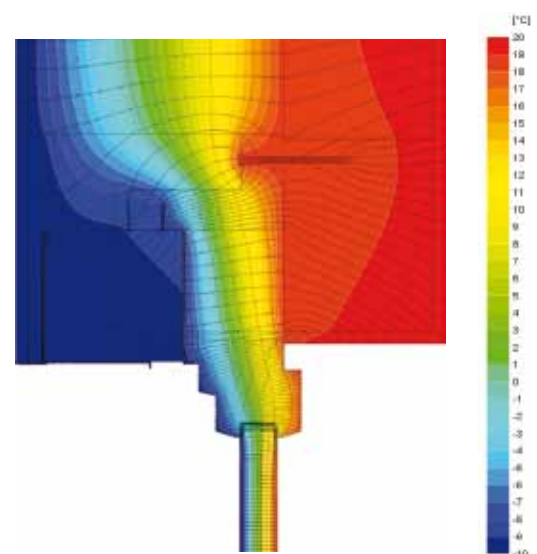
Information:

The Passive House Institute in Darmstadt (PHI) has shown its appreciation for Aluprof's SP and SP-E rollers shutters performances. The Institute issued a certificate for the roller-box 165 or lower, approving both systems and their installation as a solution for passive houses. SP & SP-E roller shutters are based on flush mounted system in which the front section of the roller-box is equally a basis for any finishing material. The roller shutter's components do not interfere with windows, doors or lintel and thus do not affect the tightness of the entire building.

SP & SP-E systems were designed to prevent the heat from escaping and to provide an attractive finish to the façade.

Suitable installation method enables the use of any window recommended by the PHI, i.e. windows whose heat transfer coefficient U_w does not exceed $0.80 \text{ W}/(\text{m}^2\text{K})$, and the glass coefficient U_g does not exceed $0.70 \text{ W}/(\text{m}^2\text{K})$.

It's the first PHI certificate for a Polish company in this group of products. It's also the first all-in-one solution in the PHI passive components base.



Isothermal lines

FLEXIBLE SOLUTIONS FOR YOUR NEEDS





ROLLER SHUTTERS

Safety and comfort are the main objectives of Aluprof, provided, i.a., through a wide range of roller shutters systems that offer protection in homes and offices. Discreet design, perfect for any home – both for existing ones and those under construction. Excellent thermal and acoustic insulation.



INSECT SCREENS

Perfect protection of the building against insects, bugs and pollution from the environment. They can be used in any facility. High quality, reliability and aesthetics. Resistance to weathering.



COMMERCIAL GATES / SECURITY GRILLES

Aluprof provides retail facilities with maximum protection by using proven, reliable and convenient solutions at relatively low cost. Security assured by additional protection elements. Grilles are a modern, aesthetic and reliable solution.



GARAGE DOORS

A wide range of aesthetic and top quality solutions tailored to individual needs – an offer proudly developed by Aluprof brand. Solid products made from high quality materials. Aesthetic and stable profiles.



INDUSTRIAL GATES

Aluprof industrial doors are a comfortable and highly aesthetic product. Industrial gates constitute an essential security for construction openings, industrial sheds, storage and retail facilities against unauthorized access and weather conditions.



MB-SUNSHADES SHUTTERS

Aluprof shutters are an option for those who look for practical yet aesthetic solutions. The shutters can be colour-matched with the external wall or with windows or used simply as a remarkable accent on the wall.



TEXTILE SHUTTER SYSTEM

Textile roller shutters represent a great combination of functionality and aesthetic. Besides sun protection function they are modern decoration elements that individualize each interiors.



THREE ADVANTAGES OF ROLLER SHUTTERS



External roller shutters are a practical system that protects us in three ways: through insulation, the protection of our privacy and the peace of mind, and through providing an effective “anti-burglar barrier”.

Aluprof roller shutters are made from carefully selected materials to ensure the highest quality of the product. Whether in flush, top-mounted or reveal mounted system, roller shutters are designed to improve the building energy use. Roller shutters can greatly help reduce heating costs in winter while in summer, when the sun shines and the outside temperature rises, they provide a pleasant sensation of coolness.

In addition, thanks to an intelligent design and carefully selected materials, roller shutters provide effective protection against intruders. Thanks to the rollers shutters, the house becomes a place where we feel comfortable, safe, and to which it is a pleasure to return after a hard day knowing it will offer us peace of mind and shelter.

But the most important advantage is that Aluprof it is the first Polish system manufacturer, which offers a RC3 certified burglar-resistant system. This was confirmed by tests carried out in an accredited laboratory in accordance with PN-EN 1627:2011. Thanks to the roller shutter system, we can be sure that our home is safe, especially during the time of our absence – while on holiday or on winter vacation.

Front mounted systems

SK, SKE & SKP



SK, SKE & SKP-based roller shutters are intended for use in existing buildings. The advantage of these products is that they do not interfere with the building, and do not require any special pre-installation preparation as they are not integrated with the windows. Buyers can thus decide to install front mounted roller shutters at any time. These solutions can be installed to window frames (in the recess) or directly on the wall. In the first case, Aluprof recommends to choose half-oval **SKP** boxes systems, as they perfectly match the external wall, or **SK** system, with its box cut at an angle of 45°. The roller's curtain is usually made of profiles filled with foam, made of high quality aluminium sheet and having a two-layer PU/PA paint coatings. This makes the product more resistant to abrasion and weathering. Aluprof also offers profiles of greater rigidity and stability, made of extruded aluminium and plastic profiles. Adaptive systems can also be integrated with insect screens. This comprehensive solution provides effective protection against insects in summer, while protecting the interior spaces against heat loss in winter.



Intended for use **in existing buildings**



SK

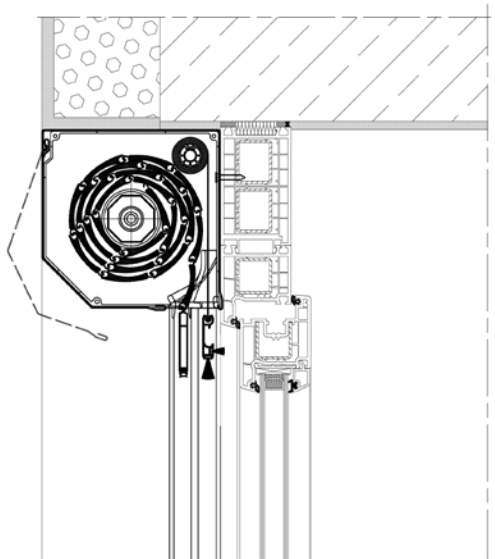


SKE

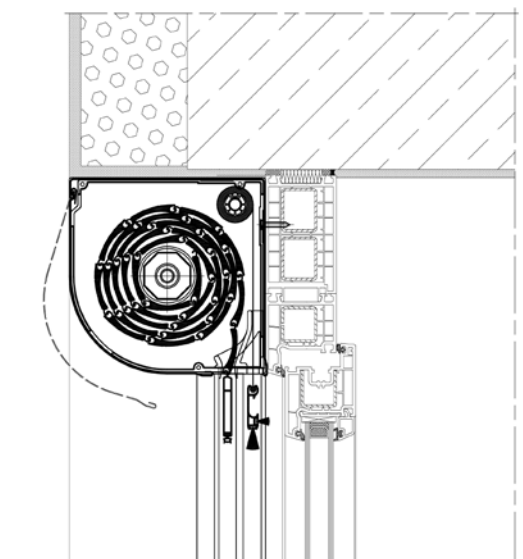


SKP

EXAMPLES OF CONSTRUCTIONS



roller shutter –SK



roller shutter – SKP

Ease of use

Controlling roller shutters can be done manually or by means of an electric motor connected to the control system which allows a convenient operation of the product. Aluprof also offers intelligent control systems that enable to manage roller shutters from virtually anywhere, using a smartphone, tablet or computer.

Practical values

Intelligent design and carefully selected materials provide effective protection against intruders. In addition, they ensure an excellent thermal insulation allowing to significantly reduce heating costs in winter and heat flow in summer, which reduces overheating of rooms.

Colour charts

Thanks to a wide range of colours, they are a great decorative element that match the appearance of the building. Made of high quality sheets, the system components are characterized by high resistance to abrasion and weathering.

Profiles

PT 37 | PT 52 | PA 37 | PA 39 | PA 40 | PA 43 | PA 45 | PA 52 | PA 55
PE 41 | PE 55 | PEK 52 | PEKP 52

Front mounted systems

SKO & SKO-P



SKO & SKO-P systems are a solution from the family of front-mounted roller shutters, dedicated mainly to existing buildings. As these products are not an integral part of the window and do not require any special pre-installation preparation, they can be installed at any time. **SKO-P** system box is made of high quality aluminium sheet covered with a special, PU/PA technology-based coating that ensures its durability and resistance to abrasion and weathering. The **SKO** system box is made of extruded aluminium, which makes it even more rigid and stable. Clever design and oval shape make these systems a solution of choice for buyers who want to have their roller shutters on the external wall, as a perfect decorative element. As it is the case for SK and SKP systems, the roller's curtain can be made of foam-filled plastic or extruded profiles. The advantage of these products is the ability to use roller-independent Mosquito system, that additionally protects the interiors against insects while maintaining the access of light and air.



Modern **design**

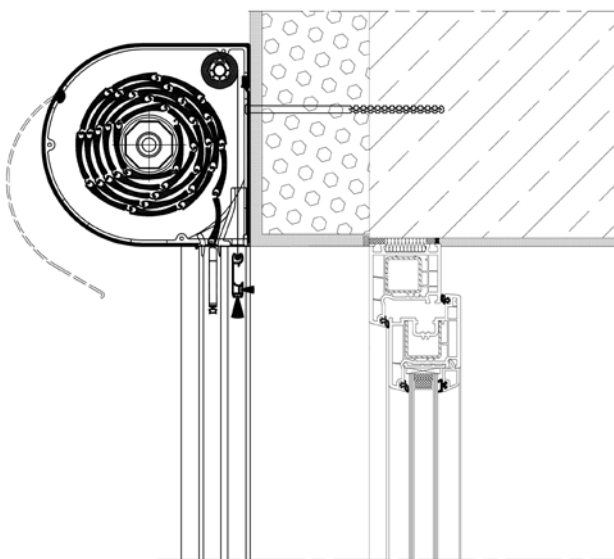


SKO

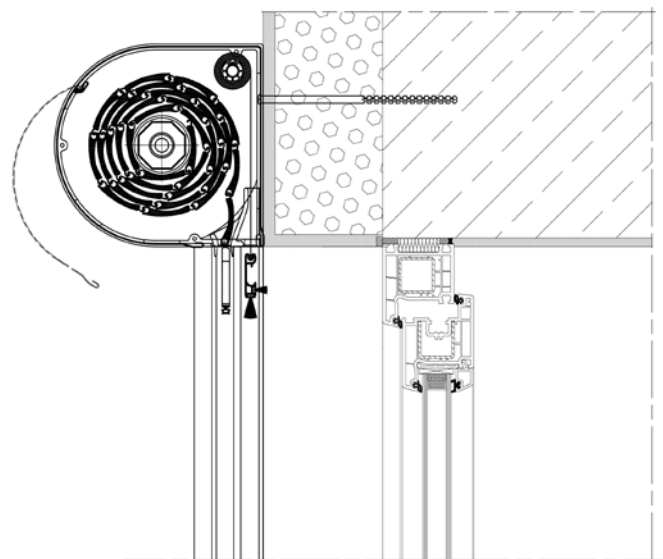


SKO-P

EXAMPLES OF CONSTRUCTIONS



roller shutter – SKO



roller shutter – SKO-P

Ease of use

The rollers shutters can be controlled manually or by means of an electric drive connected to the control system for ease of use. Aluprof also offers intelligent control systems that enable to manage roller shutters from virtually anywhere, using a smartphone, tablet or computer.

Practical values

Intelligent design and carefully selected materials provide effective protection against intruders. In addition, they ensure an excellent thermal insulation allowing to significantly reduce heating costs in winter and heat flow in summer, which reduces overheating of rooms.

Colour charts

Thanks to a wide range of colours, they are a great decorative element that match the appearance of the building. Made of high quality sheets, the system profiles are characterised by high resistance to abrasion and weathering.

Profiles

PT 37 | PT 52 | PA 37 | PA 39 | PA 40 | PA 43 | PA 45 | PA 52 | PA 55
PE 41 | PE 55 | PEK 52 | PEKP 52

Flush-mounted systems

SP & SP-E



SP & SP-E flush-mounted systems are mainly designed for use in newly erected buildings, but also in existing ones, once the necessary changes to the lintel are made. It is important to plan the use of such solutions, which also applies to their installation method, this as early as at the building design stage, to allow for the effective use of the product's functional values. **SP & SP-E** systems bring excellent thermal & sound insulation performance as they do not interfere with windows, doors or lintels, and thus they do not affect the building's energy use. What's more, they integrate the building's façade and form an integral part thereof. The front section of the box is equally a layer for any finishing material (i.e. clinker), so that it remains an unnoticed element of the façade. Other elements such as access cover or channels can colour-match the windows. As it is the case for adaptive systems, the roller's curtain can be made of foam-filled plastic or extruded profiles. Flush-mounted system-based roller shutters can be equipped with an insect screen which provides effective protection against insects while maintaining the flow of light and fresh air to interior spaces.



Aluprof's roller shutter systems certified by the Passive House Institute



Excellent thermal insulation

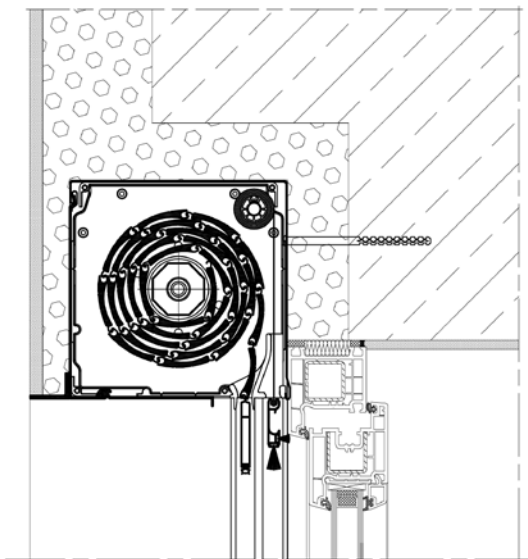


SP

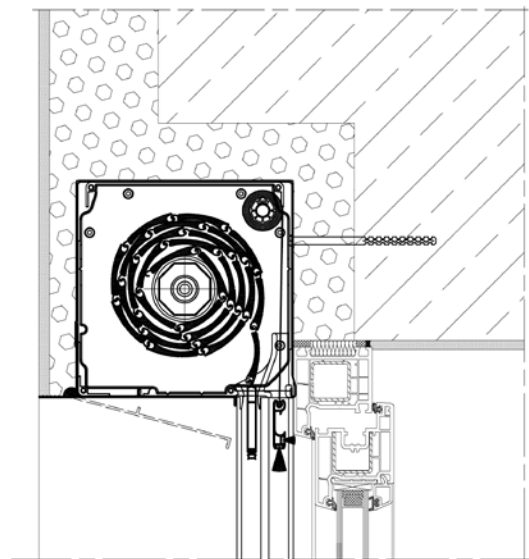


SP-E

CONFIGURATIONS



roller shutter – SP



roller shutter – SP-E

Ease of use

Controlling roller shutters can be done manually or by means of an electric motor connected to the control system which allows a convenient operation of the product. Aluprof also offers intelligent control systems that enable to manage roller shutters from virtually anywhere, using a smartphone, tablet or computer.

Practical values

As regards flush mounted systems, our offer includes also a version with an insect screen which provides the user with effective protection against insects while maintaining the flow of light and fresh air to the inside. In addition, the modern design of the SP and SP-E systems roller-box allows to perform maintenance and service work on the mechanical elements of the shutter without disturbing the privacy of the occupants.

Colour charts

Large selection of colours within the standard chart can meet the needs of the most demanding Customers. Colour coatings on the extruded elements are manufactured using powder coating, which ensures high quality and durability of the product.

Profiles

PT 37 | PT 52 | PA 37 | PA 39 | PA 40 | PA 43 | PA 45 | PA 52 | PA 55
PE 41 | PE 55 | PEK 52 | PEKP 52

Top mounted system

SKT OPOTERM



SKT OPOTERM top-mounted roller shutter system is a product addressed to those, who look for functional solutions. **SKT OPOTERM**-based roller shutters can be used both in new buildings as well as in the modernised ones. This universal and versatile product can be installed unintegrated, partially or totally integrated, as the front face of the roller-box is also a basis for any finishing material (styrofoam, plaster, clinker, etc.) so that it remains an unnoticed element of the façade. Its clever design allows to fabricate a single roller shutter, as well as a set of rollers shutters contained in only one box. **SKT OPOTERM's** particular advantage is the ability to choose how to access the product from the bottom or from the front of the box, this even before the final installation of the roller shutter takes place. The installation is made directly to the window frame using an appropriate profile. Special profiles offered by Aluprof are compatible with the majority of window & door systems (aluminium, wooden & PVC joinery). The roller's curtain can be made of high quality aluminium sheet that ensures durability and resistance to abrasion and weathering or made of PVC profiles. The system's design enables integration with insect screens, which ensure effective protection against insects. For buildings with very thin walls, which do not have any development possibilities, a variant with the so-called rounded side profile can be used. This is a very aesthetic solution that will match any interior.

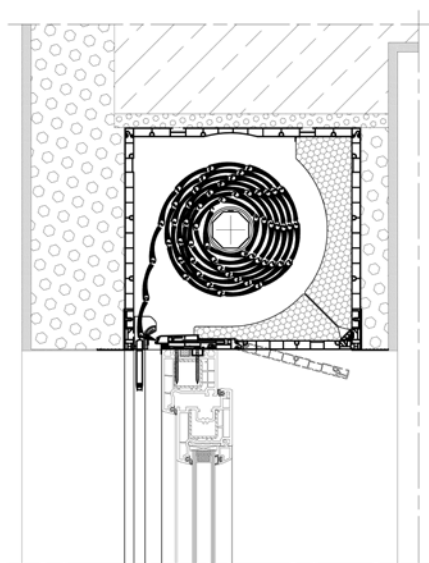


Functionality and visual appearance

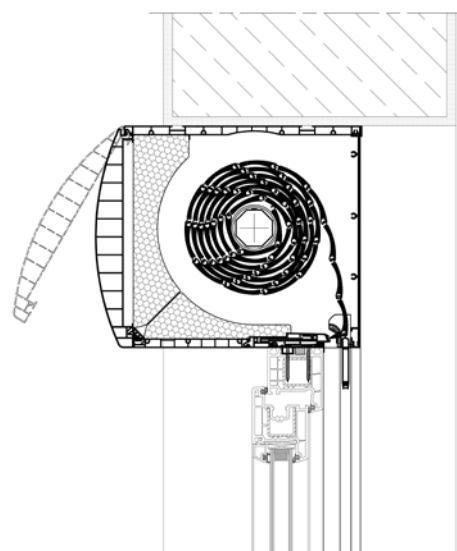


SKT OPOTERM

CONFIGURATIONS



roller shutter – SKT



roller shutter – SKT

Ease of use

Controlling roller shutters can be done manually or by means of an electric motor connected to the control system which allows a convenient operation of the product. Aluprof also offers intelligent control systems that enable to manage roller shutters from virtually anywhere, using a smartphone, tablet or computer.

Practical values

SKT OPOTERM roller shutters ensure an excellent thermal insulation allowing to significantly reduce heating costs in winter and heat flow in summer, which reduces overheating of rooms. In addition, an intelligent design and a full integration with the MOSKITO system protects the interiors against insects while maintaining the access of light and air.

Colour charts

Thanks to a wide range of colours, they are a great decorative element that match the appearance of the building. Made of high quality sheets, the system profiles are characterized by high resistance to abrasion and weathering.

Profiles PT 37 | PT 52 | PA 37 | PA 39 | PA 40 | PA 43 | PA 45 | PA 52 | PA 55

Curtain

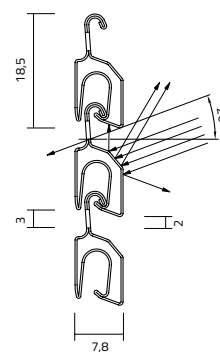
s_onro®



Aluprof S.A. offers **s_onro®** curtain, which can be successfully used in each version of the front and flush mounted systems. This innovative solution, thanks to the special construction of the profile with a wide perforation allows to get as much as 20% translucency. This enables us to let some more light into our home when the curtain is down. During the winter, we can use solar energy to heat our home whilst maintaining a proper balance of light and shadow (no glare effect). The solution, just like the other roller shutter systems may come in the version with an integrated insect screen. We offer the most popular colours of the curtain: white, silver, grey, grey anthracite and grey aluminium.



Modern, optically-clean form



Open slat



Closed strip

Technical specifications

s_onro® system combines blinds and roller shutters in a single system. - 20% of surface of the **s_onro**® system lets the sun's rays in (traditional shutters 1-2%).
Total weight 5.8 kg/m².
Aluminium endslat (42 x 8mm) with additional weight with the "stop" option.

Ventilation process

When the elevation angle of the sun exceeds 20° **s_onro**® system does not allow the direct flow of sunlight into the room. If we want to completely darken the room – the slats are closed. If we want to bring some light into the room **s_onro**® system allows to make individual settings, according to our preferences.

Colour charts

Grey anthracite, white, grey aluminium and silver.

Venetian blind system

SKEF



SKEF venetian blinds system is intended for use in existing buildings. The advantage of these products is that they do not require any special pre-installation preparation nor works to the existing structure as they are not integrated with the window. Buyers can thus decide to install the front-mounted roller shutters at any time. These solutions can be mounted to the window joinery (in the recess) or directly on the wall. In the first case, The construction of the systems is made of extruded aluminium that ensures its durability and resistance to abrasion and weathering. Using any RAL colour allows for a perfect colour match for visible elements of the façade or window frame. The box of the **SKEF** system is cut at an angle of 45° and due to its specially design construction is more durable and resistant to weathering. Prefabrication is very easy – non-invasive installation of venetian blind rail eliminates the need for drilling keeping the product aesthetic. Specially designed guide channels provide a consistent functioning. **SKEF** system is an universal solution that can be used for installation of venetian blinds using slats in size from 50 – 80 mm. Moreover **SKEF** system allows to equip venetian blinds with an insect screen, which provides effective protection against insects while maintaining the flow of light and fresh air to interior spaces.

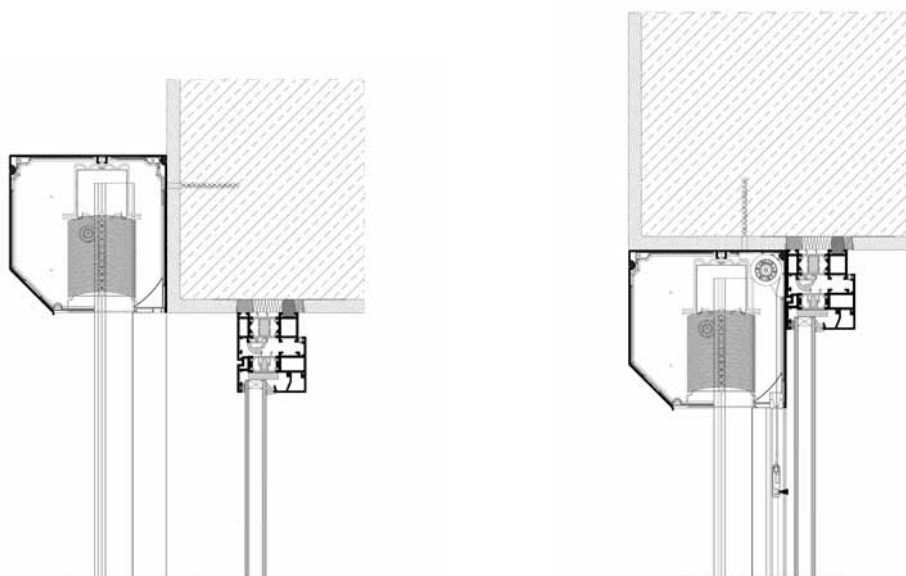


Perfect balance between light and shadow



SKEF

CONFIGURATIONS



venetian blind in SKEF roller shutter box

Ease of use Controlling roller shutters can be done manually or by means of an electric motor connected to the control system which allows a convenient operation of the product. Aluprof also offers intelligent control systems that enable to manage roller shutters from virtually anywhere, using a smartphone, tablet or computer.

Practical values All details were designed with the aim to enable the installation of venetian blinds together with front mounted roller shutters on the facade. This allow to keep the esthetic look of the building.

Colour charts Thanks to a wide range of colours, they are a great decorative element that match the appearance of the building. Made of high quality sheets, the system profiles are characterized by high resistance to abrasion and weathering.

Profiles 50 mm 80 mm

ARKA ROLLER SHUTTERS MAKING YOU FEEL SAFE AT HOME



Home is the place we associate with calm and security. But how can we be sure our assets are really safe?

Every day the media bombard us with information about burglaries. Often we wonder what extra precautions shall we take in order to feel safe. Vigilance of the occupants is simply not enough. Then why not make a move to security solution, which will effectively stop the intruder? One such solution is an external roller shutter.

Burglar-resistant roller shutters are an innovative system that combines aesthetics and durability. They can be mounted in both newly constructed building and the existing ones. The product successfully fulfills its function thanks to the strengthening of individual components, such as channels whose design prevents deflecting and pulling out the profiles. In addition, the resistant structure of the curtain prevents any impact-induced damage of the roller shutter.

Aluprof is the first company whose product is certified class III burglar-resistant. This was confirmed by tests carried out in an accredited laboratory in accordance with PN-EN 1627:2011. The quality of the system is also ensured by a patent protected latch mechanism in the bottom part of the roller shutter that prevents the latter from being raised up.

The anti-burglary system is available in different colours, which allows to choose the right colour, fitting the one of the windows and façades of the building.



Roller shutter system

ANTI-BURGLARY

This system is aimed at those to whom the safety of their families is one of top priorities. As a manufacturer of roller shutter systems, we decided to go a step further and offer our customers a product that is not only a great decorative element, but will also provide an effective protection against intrusions. Modern design, functionality, ease of installation and operation, as well as aesthetic appearance will help the roller shutter to meet the requirements of the building and fit the colour of the façade. In this type of products, the individual elements, i.a. channels have special reinforcement, which prevents deflecting and pulling out the roller shutter profiles. In addition, the resistant structure of the curtain prevents any impact-induced damage to the roller shutter. In addition, the latch mechanism mounted in the bottom part of the roller shutter prevents raising of the roller shutter's curtain, which ensures an effective protection of the house. Rollers shutters are made of aluminium, and are thus lightweight, weather resistant and easy to maintain. During our absence, they protect windows and balcony from the sight of potential attackers, and our possessions – from theft. The isolation helps us also to protect the interiors from excessive sunlight and warming up.



Anti-burglary roller shutters certified **RC3**



Reinforced channels prevent deflection and pulling out profiles.

Resistant structure of the curtain prevents any impact-induced damage to the roller shutter.



Reinforcement at the endslat – high rigidity and stability of curtain.

Patent-protected latch mechanism in the lower part of the roller shutter that prevents the curtain from being raised up.

Special characteristics

- robust design of the roller shutter's curtain
- reinforced channels
- latch mechanism in the bottom part of the roller shutter
- reinforced endslat

Practical values

Roller shutters are compatible with different systems in which the shutter is rolled into an aluminium shutter-box on the wall or mounted on window reveal. The technologies used as well as smart design allows the roller-boxes to be least visible after installation. Thanks to a large selection of adaptive systems it is possible to fit them aesthetically to the façade of a house.

Colour charts

Profiles are available in a wide range of colours, so you can make a perfect match with the windows.

Profiles PE 55

KEEP MOSQUITOES OUT OF THE HOUSE



A swarm of mosquitoes or wasps hovering around the table can kill the most agreeable summer evening. Using insect screens is by far the ideal solution. Insect screens are an extremely functional and aesthetic protection against insects. Aluprof's offer includes three systems for insect screen: fixed, hinged, sliding, and roll-up insect screen. This diversity enables us to choose an insect screen that is suitable for all types of windows and rooms.

Insect screens' design allows an easy installation on window and door profiles. **MRO** hinged insect screen is perfectly suited to the balcony door. In rooms where we need regular protection, such as bedroom, bathroom or child's room, it is a good idea to use **MRS** fixed frame fly screen. Due to the fact that aluminium joinery begins to play an increasingly important role, and this not only in office or commercial buildings, but also in residential facilities, we decided to modify our fixed mosquito screens, so that they can be installed on flush aluminium windows. The **MRSZ** system does not limit in any way the functionality of the window. As for the terrace walkout, the ideal solution would be to use **MRP** sliding fly screen. The roll up insect screen **MZN** is perfect choice for kitchens. The big advantage of this product is that it can be closed and opened at any time. This will be surely appreciated by all the mums who may want to control the security of their children playing in the back yard. With a view to protect attic spaces we developed the insect screen **MZH**. This solution is equipped with a specially designed hook-in connection that enables the installation on roof windows.

The pleated insects screen **MPH** is a novelty in Aluprof's range. It was designed with the aim of providing space savings while they guarantee the optimal use of the surface.

Aluprof insect screens are made of aluminium and are available in many colours, allowing for proper fit of the product to the window frame and the building façade.

Roll-up insect screen

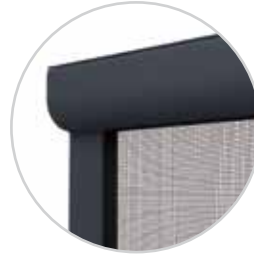
MZN



The independent roll-up insect screen system is an excellent and extremely tight solution that secures interior spaces against insects and can be opened and closed at any time. Structural elements of the screen (box, rails, endslat) are made of extruded aluminium, which ensures durability and resistance for many years of use. A special clip helps to adjust the height of the mesh closure. In addition, it is possible to use a restrictor, allowing the gentle and noiseless closure of the endslat to the box. The system is very practical, especially that it uses, to the maximum extent, other insect screen system components that are offered by Aluprof. **MZN** is a very aesthetic and modern solution, which, thanks to its small box, fits perfectly in any recess and it will satisfy the needs of users who do not want to use a fixed mosquito screen.



Can be opened and closed **at any time**



Small-size, semi-oval cassette of extruded aluminium.



Sealing gasket mounted at the top of the box.



Endslat of extruded aluminium with sealing gasket to the windowsill or window frame.



Channels of extruded aluminium with sealing gasket.

Ease of use

The roll-up insect screen is an excellent and extremely tight solution. It can be opened and closed at any time. The use of a restrictor allows for the gentle and noiseless closure of the endslat to the roller-box.

Practical values

Structural elements of the screen are made of extruded aluminium, which ensures durability and resistance for many years of use. The excellent tightness of the insect screen is guaranteed by additional seals mounted at the top of the roller-box, at the endslat and on the channels.

Colour charts

Large selection of colours within the standard chart can meet the needs of the most demanding Customers. Colour coatings are made using the following methods, depending on the Customer requirements: powder coating and Decoral.

Roll-up insect screen

MZH



The system **MZH** for roll-up insect screen is a modern and fully functional solution designed primarily for installation on roof windows. The construction is made of extruded aluminium and is mainly based on components of the system MZN. This solution enabled to use i.a. a bottom strip and channels that perfectly match a specially designed swing hook. With this innovative solution, it is now possible to block the bottom strip on the roof windows from the inside. In addition, the carefully formed hook shape enables to efficiently click-in and click-out the bottom strip, which makes the use of this fly screen straightforward and simple. What's more, the hook provides additional sealing to the bottom part of the fly screen, so there's no need for additional gaskets. Extremely versatile, **MZH** is also well suited for mounting on vertical windows. With the use of specially designed channels with offset, **MZH**-based insect screen can also be mounted on windows with outer sill that usually prevents the standard, direct installation to the window frame. This solution improves the access to the bottom strip and facilitates the fastening of the hook. **MZH** is a highly aesthetic solution that will fit in any interior whilst providing the perfect protection against the insects.



The perfect protection **for your attic space**



Small-size, semi-oval cassette of extruded aluminium.



Hook shape enables to efficiently click-in and click-out the bottom strip.



With this innovative solution, it is now possible to block the bottom strip on the roof windows from the inside.



The hook provides additional sealing to the bottom part of the insect screen.

Ease of use

MZH is a very aesthetic and smart solution, to be used on roof windows. Thanks to a specially designed hook, the screen can be opened and closed at any time.

Practical values

Structural elements of the screen are made of extruded aluminium, which ensures durability and resistance for many years of use. The screen is made of fibreglass and provides an easy maintenance.

Colour chartss

Large selection of colours within the standard chart can meet the needs of the most demanding Customers. Colour coatings are made using the following methods, depending on the Customer requirements: powder coating and Decoral.

Fixed frame fly screen

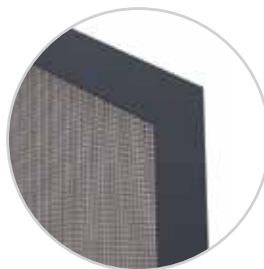
MRS



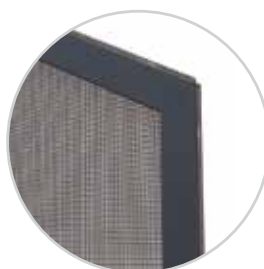
The fixed frame insect screen system **MRS** is a perfect protection against insects. The frame of the screen can be combined with aluminium inside corners, clamped or twisted. You can also choose between plastic outer corners, available in a wide range of colours. The system is compatible with most window profiles. We also offer an inside corner with adjustable angle. The mounting clips are available in five sizes. Profile frame is made of sturdy extruded aluminium profile of a modern shape, covered with powder paint. Profile comes in two versions: with "flipper", adhering to the window frame and without "flipper", with a pocket for a brush seal and used with completely built-up window frames.



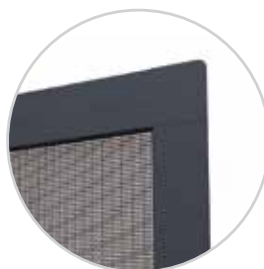
Durability and resistance **for many years of use**



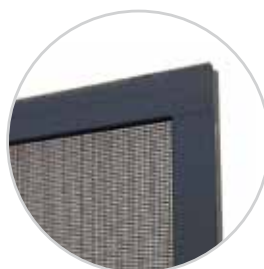
Frame with inside corner with adjustable angle to allow fabrication of irregularly-shaped screens.



Frame with inside corner plus a containment for a brush in a variant with side sealing.



Frame with plastic outside corner.



Frame with plastic outside corner, variant with side sealing.

Ease of use

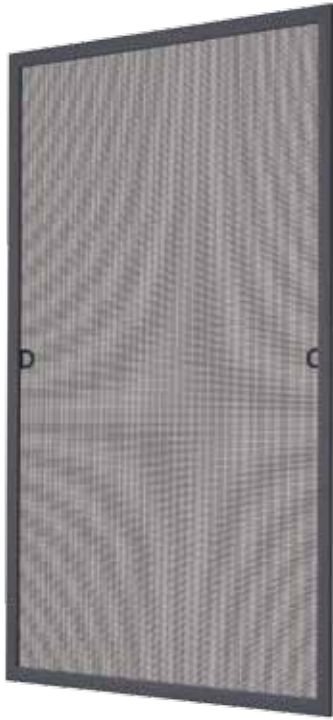
Fixed frame fly screen is mounted on the outer side of the window frame. By using non-invasive rotary hooks, fly screen can be quickly and easily attached and removed, while maintaining the full functionality of windows.

Practical values

Smart design and carefully selected materials provide effective protection against insects while maintaining the access of light and air.

Colour charts

Large selection of colours within the standard chart can meet the needs of the most demanding Customers. Colour coatings are made using the following methods, depending on the Customer requirements: powder coating and Decoral.



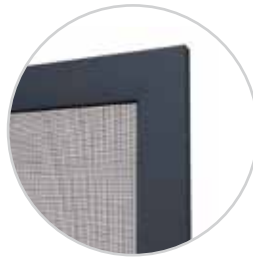
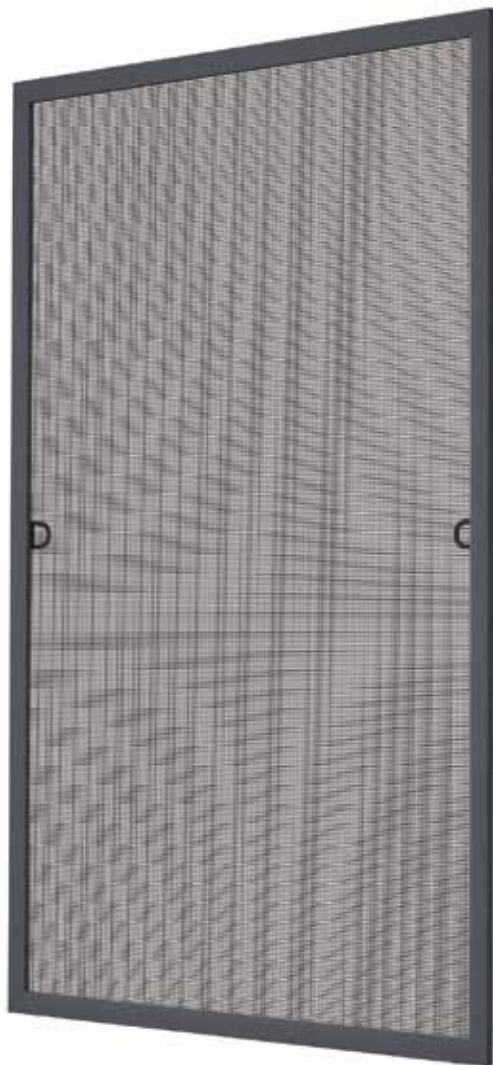
Fixed frame fly screen

MRSZ

This product is a solution designed for use on flushed aluminium windows. The screens are highly aesthetic and are supplemented by high quality details. All of its components are made of extruded aluminium, which ensures resistance to weathering, and a reliable operation of the product for many years. The frame of the screen can be connected using aluminium inside corners (clamped or screwed), which makes it an aesthetic, colour-match to the window frame (it can be painted in any RAL colour). The use of fixed screen does not limit in any way the functionality of the window. The screen's hooks work with any window systems offered by Aluprof.



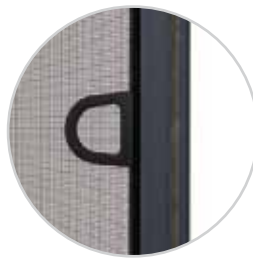
Easy installation



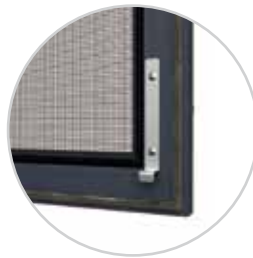
Frame with plastic inside corner (screwed or crimped).



The upper hook allows for easy setting of the screen in the upper part of the frame, which is also equipped with a brush seal that provides full sealing.



Mounting clip helps to easily and quickly set the screen in the windows frame.



The lower hook allows an easy setting of the screen in the bottom part of the frame.

Ease of use

The frame of the screen can be connected using aluminium inside corners (clamped or screwed), which makes it an aesthetic, colour-match to the window frame (it can be painted in any RAL colour). The use of fixed screen does not limit in any way the functionality of the window.

Practical values

Installation is made fast and easy thanks to the use of mounting clips. the screen's hooks work with any window systems offered by Aluprof.

Colour charts

Large selection of colours within the standard chart can meet the needs of the most demanding Customers. Colour coatings are made using the following methods, depending on the Customer requirements: powder coating and Decoral.



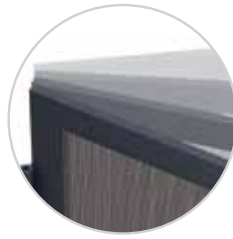
Hinged fly screen

MRO

The hinged fly screen system protects the interiors against insects and is perfectly compatible with balcony doors. Its rounded, modern frame profile shape is a perfect match with window frames available on the market. The frame of the mosquito net is connected, by means of internal aluminium corners, which significantly stiffens the whole structure. You can also choose the way the profiles are connected with the corners (crimping press or grub screws). Additional reinforcement with joining profile allows to fabricate larger-size frames. In addition, a brush seal is added around the perimeter of the frame, this for additional sealing.



Great aesthetics and high quality parts



The hinge with a self-closer is a simple spring tension adjustment with an Allen wrench. It is also possible to use a hinge on two planes. This solution is patent-protected.



Two opening variants available: "ergonomic" and "aesthetic" a handle or specially designed joining profile allow to open opening and close the mosquito net from both inner and outer part of the casement.



The insect screen is easy to install thanks to the use of inside corner with grub screws.



Two different heights of the cavity slab of in the lower part of the casement protect the screen from opening-induced damages.

Ease of use

The insect screen is mounted to the window frame or to the reveals using hinges, which have a patented, and very easy to use self-closer pre-stretch system. What's more, it is possible to mount the active mosquito net to an independent structure.

Practical values

Standard screens are equipped with an opening holder or magnets that maintain the screen in closed position. Alternatively, there is also a variant with a specially designed joining profile. Thanks to its modern shape, it acts as a handle allowing to open opening and close the mosquito net from both inner and outer part of the casement. A cavity slab is located in the lower part of the casement, and protects the screen from opening-induced damages.

Colour charts

Large selection of colours within the standard chart can meet the needs of the most demanding Customers. Colour coatings are made using the following methods, depending on the Customer requirements: powder coating and Decoral.

Sliding fly screen

MRP



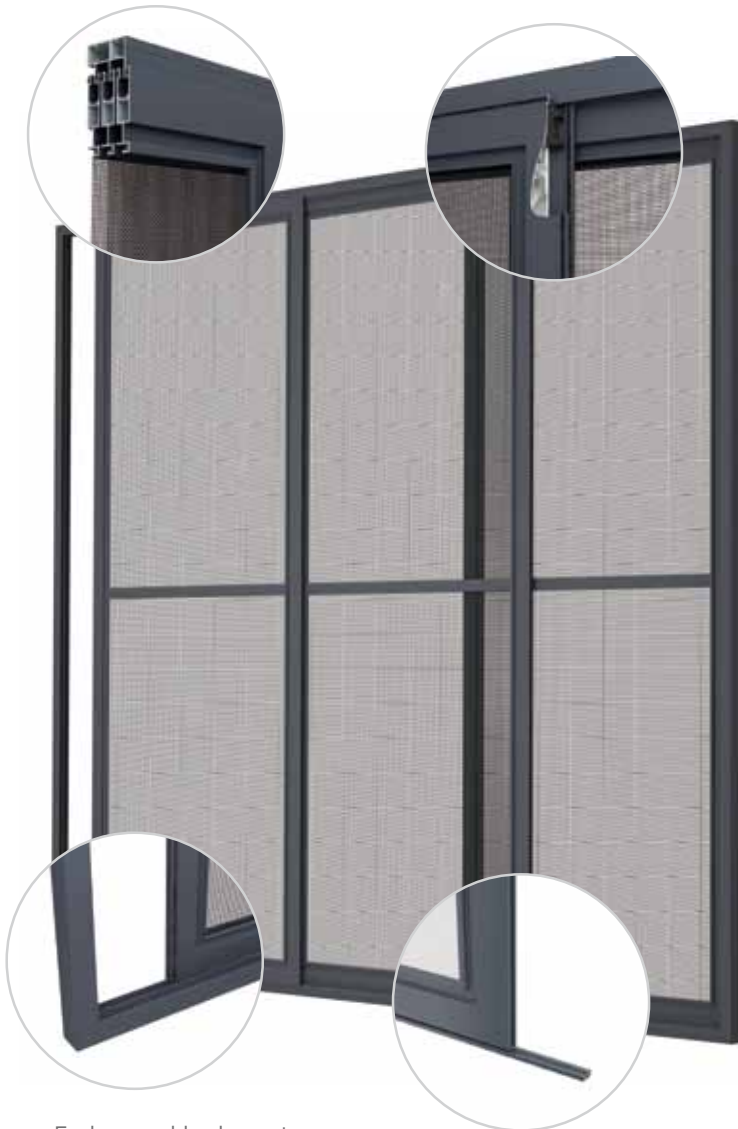
Sliding fly screen system protects the interiors against insects and are used in large glass balcony bays, terraces and verandas. Fly screen moves along the upper and lower running rail. In the bottom part of the screen there's a running roll that allows a smooth adjustment of the angle of each opening element. Additional reinforcement, mounted using snap-fits allows to fabricate larger size frames. Frame and rail profiles are made of strong extruded aluminium section of a modern design, covered with coating characterized by high resistance to abrasion and weathering. The shape of the main profile of the fly screen eliminates the need for additional holders. The frame and the openable element of the fly screen are installed using inside corners. The screen can be installed using triple system configuration. Thanks to the use of a low rails, this works perfectly with sliding doors with the so-called low-level threshold.



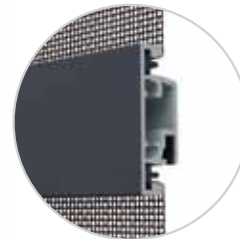
Ease of use

Possibility of installation using triple system configuration

Moving the openable element: this allows to position and to protect openable element against falling.



The frame and the openable element of the insect screen are installed using inside corners, which are characterised by durability and quality.



Additional reinforcement of the insect screen is installed using snap-fit connection. This allows a quick and easy way to increase the surface area of the casement.

Each openable element is additionally sealed with brush seals.

The solution with a low rail makes this product work perfectly with sliding doors with the so-called low-level threshold.

Ease of use

Sliding fly screen is mounted directly to the door frame or to the jamb. Wide selection of running rails allows the installation of various types of fly screen on all types of windows and doors with guaranteed collision-free compatibility with external roller shutters.

Practical values

Intelligent design and carefully selected materials provide effective protection against insects while maintaining the access of light and air. Each openable element is additionally sealed with brush seals. The system also uses a brake to slow down the movement and a bumper, which restrict the movement of the openable element in its extreme position.

Colour charts

Large selection of colours within the standard chart can meet the needs of the most demanding Customers. Colour coatings are made using the following methods, depending on the Customer requirements: powder coating and Decoral.

New

Insect screen system

MPH Harmony



Pleated insect screen system **MPH** is a solution primarily designed with the aim of providing space savings. This product is ideal for installation on the patio doors and balcony niches, where the width reaches up to 4m. The use of special pleated mesh, which when closing arranges in a zigzag pattern and hides in the side profile is a characteristic feature of this product. Thus, the insect screen takes up little space allowing optimal use of the surface. Importantly, it does not impair, in any way, the functionality of the door and does not obstruct visibility to the outside. An advantage of this solution offered by Aluprof is the possibility of separate tension control of each of the ropes controlling the insect screen, which guarantees its stable arrangement.

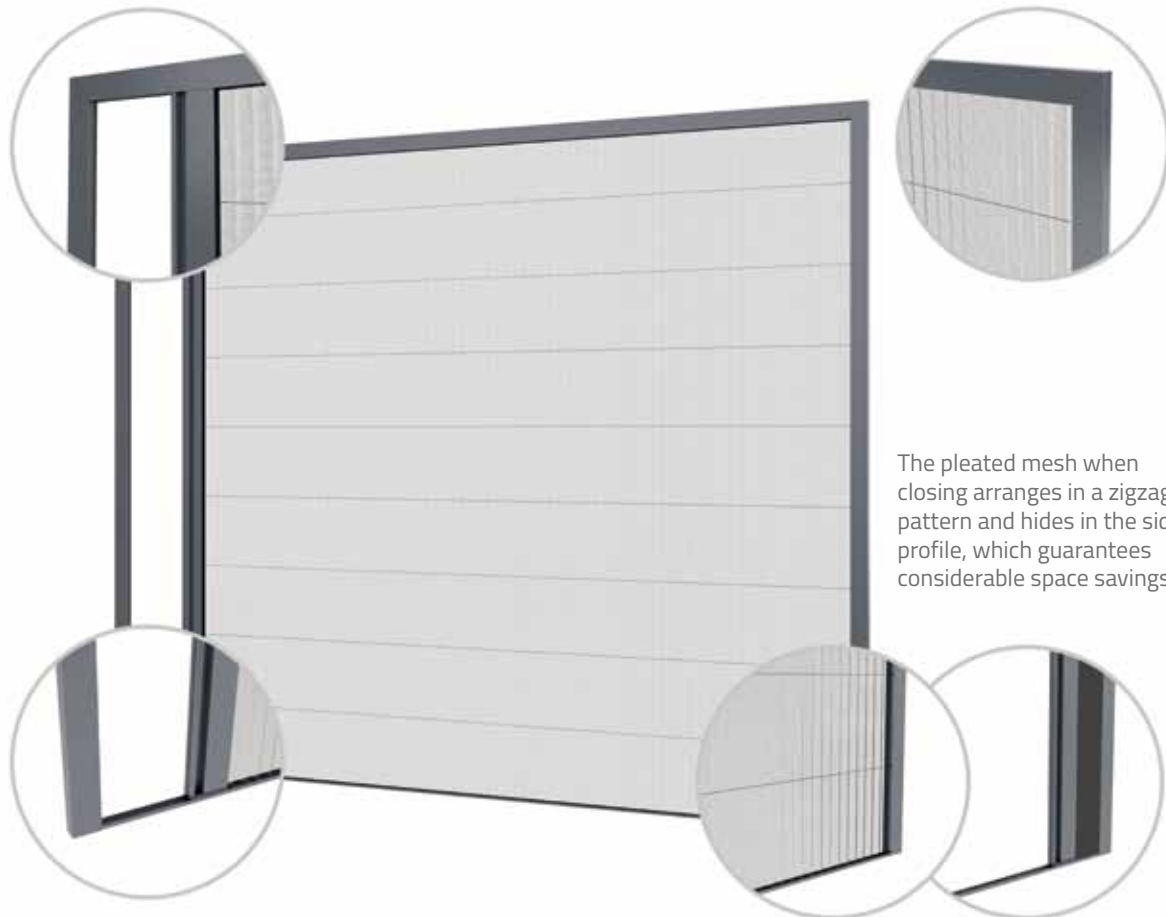
The **MPH** system is characterized by an extremely smooth movement, which makes its use very simple and does not require much effort. In addition, the construction of the insect screen allows to stop it in any position. The advantage of this solution is also the low threshold that does not hinder the passage of users. The insect screen is made of extruded aluminium, which makes it durable and resistant to weather conditions, and in addition it can be varnished in any RAL colour. The pleated insect screen Harmony has been designed to smoothly work with the Aluprof roller shutter systems.



Optimal use of the surface

The insect screen construction is made of extruded aluminium, which guarantees its durability and strength

The possibility of separate tension control of each of the ropes controlling the insect screen, which guarantees its stable arrangement



The pleated mesh when closing arranges in a zigzag pattern and hides in the side profile, which guarantees considerable space savings

The possibility of achieving large widths up to 4 m

The use of low threshold allows free passage of users

Ease of use

The MPH system is characterized by an extremely smooth movement, which makes its use very simple and does not require much effort. In addition, the construction of the insect screen allows to stop it in any position. The advantage of this solution is also the low threshold that does not hinder the passage of users.

Practical values

Intelligent design and carefully selected materials provide effective protection against insects while maintaining the access of light and air. The pleated insect screen Harmony has been designed to smoothly work with the Aluprof roller shutter systems with the guide channel PPMO 53.

Colour charts

Large selection of colours within the standard chart can meet the needs of the most demanding Customers. Colour coatings are made using the following methods, depending on the Customer requirements: powder coating and Decoral.

DOORS THAT OPEN TO THE WORLD



There are many types of garage doors, rolling, sectional or up-and-over doors. The correct choice depends mainly on our requirements related to the product. If we want it to be motorised and occupy minimum space, we should choose a rolling garage door.

FUNCTIONALITY – Thanks to its versatility, rolling garage doors can be installed both in existing buildings and in new builds. Its particular advantage is that it saves space because the door opens vertically. This will be appreciated especially by those who do not have a large driveway or who park their car directly on the street. The Raised door curtain does not limit the visibility, which greatly affects the safety of the person driving the car.

EASE OF USE – Aluprof S.A. offers motorised garage doors. This type of door is not only convenient to use, but also safe. The use of electric drive allows to use the remote control mechanism. Radio control allows you to open and close the door using a remote control, without having to get out of the car. This will be particularly appreciated in the evening, in the rain and or in winter. The door is also equipped with a fall protection device. In addition, a number of safeguards can be used, such as photocell or closing edge safety device.

ADVANTAGES OF THE ROLL-UP GARAGE DOORS – the profiles of the roll-up garage doors can be divided into two types: profiles with foam and extruded profiles. The former are made of high quality aluminium sheets that have two-layer PU/PA paint coatings. Thanks to the coating, the product is highly resistant to abrasion and weathering. Extruded aluminium profiles are a durable and stable cover. They are offered in a wide range of colours and the coatings are made using powder coating technique, which increases their resistance. Another advantage of these modern doors is a rich palette of colours, thanks to which it is possible to select the product that match the colours of the façade.

INSTALLATION – Installation, adjustment and set up of the garage doors must be carried out by a qualified and experienced person, designated by the manufacturer. The product should be installed so as to provide easy access to its mechanisms, allowing for adjustments, maintenance or repair and all electric work should be undertaken by a qualified electrician.

Roll-up garage door

BGR



Roll-up garage door is a perfect solution both for new build-garages as well as for existing buildings. They constitute a security for construction openings, garages, storage and retail facilities against unauthorised access and weather conditions.

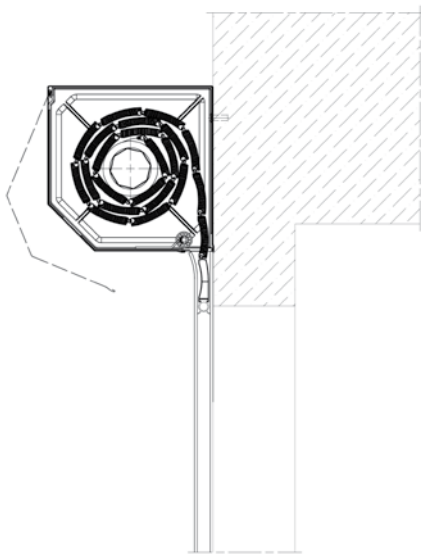
Depending on the dimensions and building conditions, it is possible to install a garage door on the console and in the box. Door profiles are chiefly filled with foam, made of high quality aluminium sheet, having a two-layer PU/PA paint coatings. This coating is characterised by high resistance to abrasion and weathering. The extruded garage door profiles are very durable and resistant. They are also available in all colours from the RAL colour chart. It is also possible to cover the profiles with decorative film which greatly increases the visual comfort of the product and reduces "the abrasion problem".



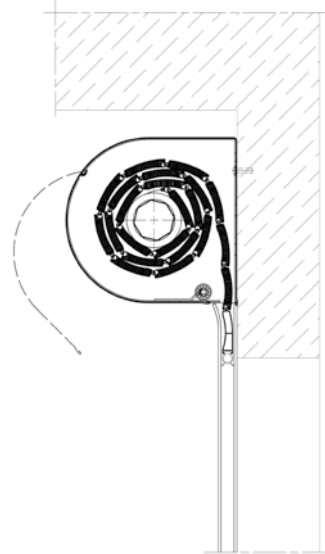
Saving space



CONFIGURATIONS



BGR/SK – garage door



BGR/SKO-P – gate

Ease of use

Space saving is another advantage of using rolling garage doors. Vertically open garage door is a good option when a driveway is short or starts right from the street. This significantly improves the safety of the driver, as the raised curtain of the door does not restrict visibility. The use of electric drive allows to use the remote control mechanism. Radio control allows you to open and close the door using a remote control, without having to get out of the car.

Security

In accordance with the applicable standards, garage door comes equipped with a fall protection device. It can also be equipped with protection against crushing when closing and a set of photocells. In case of power failure, the door can be opened using the emergency manual drive. Electromagnetic brake drive with blocking hangers, effectively thwarting any attempt to raise the curtain. Robust rails, of sufficient thickness, prevent the curtain from being torn out.

Colour chartss

Thanks to a wide range of colours, they are a great decorative element that match the appearance of the building. Colour coatings are made using powder coating.

Profiles

PA 52 | PA 55 | PA 77 | PE 55 | PE 100

Roll-up industrial gate

BPR



Industrial gates constitute an essential security for construction openings, industrial sheds, storage and retail facilities against unauthorised access and weather conditions. They are used as internal gates.

Door curtain is made of PE 100 – extruded aluminium profile. The shape and thickness of its sides was designed in a way to make the curtain stable and resistant to mechanical actions. It is possible to use PER 100 glazing profiles in the door curtain. Profiles and rails are coated with powder painting in a wide range of RAL colours.

The curtain is rolled up on a steel coiling tube mounted on consoles which are its supports and bearing. For gates that are installed close to the lintel, attention is to be drawn to the minimum height of the latter that is required for the installation.

Taking into account the type of console used, industrial door can be divided in two types:

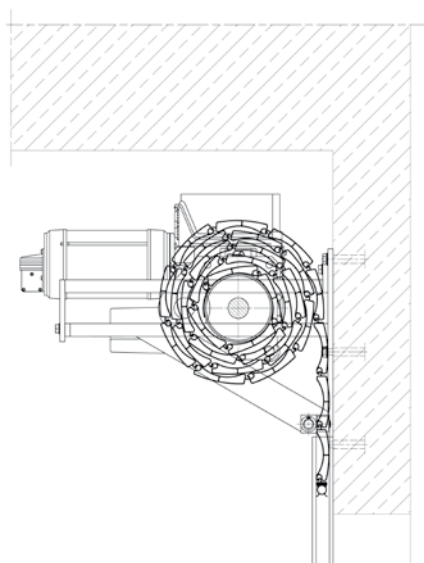
- mobile consoles: BPR/KNJ,
- fixed consoles: BPR/KNS.



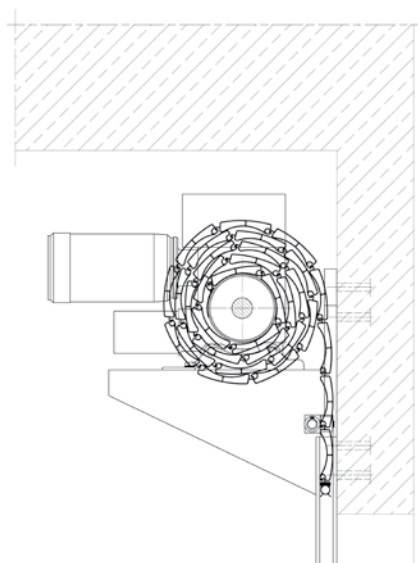
Durability for years



CONFIGURATIONS



BPR/KNJ – gate



BPR/KNS – gate

Ease of use

Industrial doors can be installed both in existing buildings and in newly constructed ones. The door is operated by the switch located inside the building. Depending on your needs, you can use radio control or other selected combinations of controls that enhance the ease of use of the product.

Security

In accordance with the applicable standards, industrial door comes equipped with the following types of protection devices: types of protection devices:

- emergency brake which protects from uncontrolled decent of the door curtain;
- contact safety sensor in the end slat which prevents from being crushed by the closing curtain;
- photocell system that responds to movements by the door and making the curtain stop or return;
- emergency manual operation allowing, in the event of power failure, to open or close the door with a chain.

Colour chartss

Large selection of colours within the standard chart can meet the needs of the most demanding Customers. Colour coatings are made using powder coating.

Profiles

PE 100

Roll-up grille

BKR



The primary function of the grille is to protect commercial facility while presenting shop windows, ensuring a proper ventilation in the shopping malls and underground car parks. Additional profiles at the bottom of the grille constitute a barrier for garbage, dust or rodents. Grilles can be installed in new build-buildings as well as in already existing ones. Depending on the dimensions and building conditions, it is possible to install roll-up grilles:

- on consoles,
- in boxes.

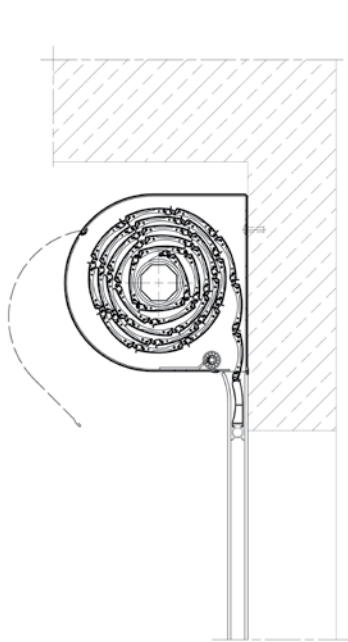
Grille curtain can be made of aluminium extruded grille profile (PEK 52, PEK 77, PEK 80 or PEK 100). Profiles and rails are coated with powder painting in a wide range of RAL colours.



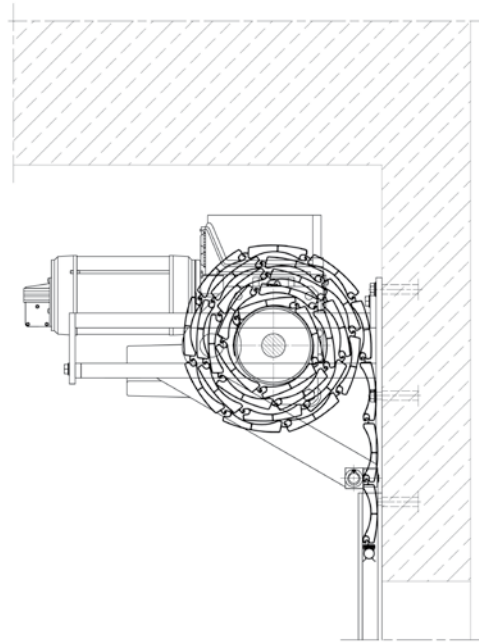
A perfect protection for commercial facilities



CONFIGURATIONS



grille – BKR/SKO-P



grille – BKR/KNJ

Ease of use

The grille is operated by the switch located inside or outside the facility. Depending on your needs, you can a control system or a combination of controls that enhance the ease of use of the product.

Security

In accordance with the applicable standards, roll-up grille comes equipped with a fall protection device. It can also be equipped with protection against crushing or raising up or with a set of photocells. In case of power failure, the grille can be opened using the emergency manual drive. Electromagnetic brake drive with blocking hangers can effectively thwart any attempt to raise the grille.

Colour charts

Large selection of colours within the standard chart can meet the needs of the most demanding Customers. Colour coatings are made using powder coating.

Profiles

PEK 52 | PEK 77 | PEK 80 | PEK 100

Shutter System

MB-SUNSHADES

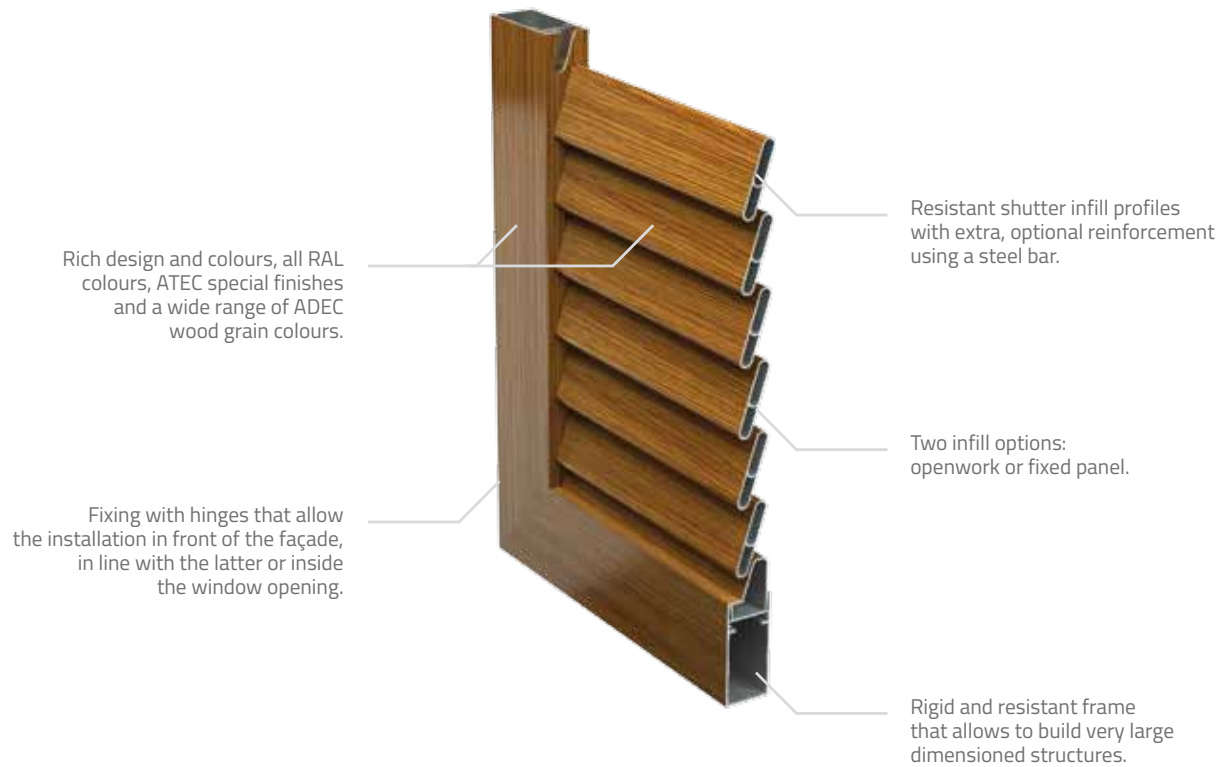


MB-SUNSHADES provide an excellent solar shading and give the external wall its characteristic appearance. The solution consists of a frame with diagonally arranged blades or panels. Made of aluminium, the components are highly resistant to weather conditions and do not require any renovation work during years, which distinguishes them from structures built with PVC or timber. Frame profiles are slim and lightweight, but of an appropriate stiffness, which allows fabrication of sunshades.

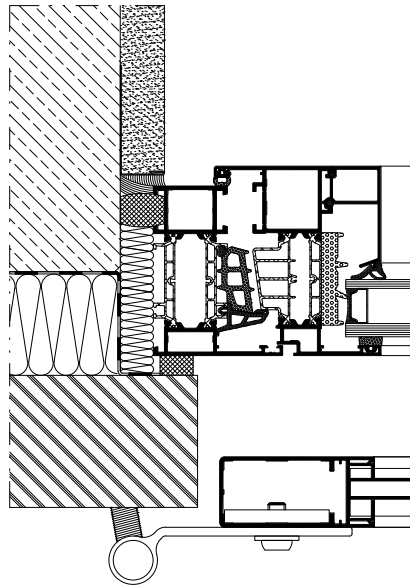
Aluprof shutters are an option for those who look for practical yet aesthetic solutions. The shutters can be colour-matched with the external wall or with the windows or used simply as a remarkable accent on the wall.



A perfect protection against the sun



CONFIGURATIONS



Ease of use

The hinges available within the system allow to use different solutions when shutters are in the closed position: they can be jutting out or aligned. They can be placed deeper in the window recess (bespoke solution).

Practical values

Given the ample possibilities offered by the technology of decorative and protective coatings made on aluminium, the MB-SUNSHADES are perfect for use in various types of construction.

Colour charts

In modern homes, a colour combination of a structure with muted colours, identical to those of the windows, is especially impressive when windows and doors are made of aluminium, may be preferred.

Parameters technical

Profile dimensions (width x depth): 70 x 32 mm
 Infill profiles depth: 50 mm
 Module [infill profiles distance]: every 45 mm
 Max. casement dimensions: 1200 x 2500 mm

INDIVIDUAL CHARACTER OF EACH INTERIOR



Interior roller blinds are among the most popular shading solutions used not only in public utility buildings but also in private houses. Due to their practical nature they are becoming more common than traditional curtains or drapes.

The advantage of roller blinds is not only protection against intense sunlight, but also from the eyes of undesirable persons. Fabrics used in such products also guarantee effective optical barrier for light penetrating into the room. They eliminate reflections that can occur on computer screens or television sets.

These products are the perfect combination of functional and aesthetic values. Owing to well selected fabric they can also constitute a stylish addition that will give a unique character to any interior.

Roller blinds systems designed by Aluprof are characterized by simplicity and elegance. Design of systems and careful selection of details ensures a modern design of the shutters. On the other hand, well thought installation solutions allow for fast and non-invasive installation of systems.

New

Textile shutter system

SPACE



Roller blind system **SRT SPACE** is a classic solution designed to shadow interiors of various purpose. An aesthetic shutter box made of extruded aluminium is equipped with an adaptive snap profile which allows its non-invasive installation and removal at any time. It is also possible to screw the side plate covers of the shutter box directly to the window surface using screws. Characteristic elements of the system are aluminium spatial guide channels in the shape of C-profile. They are glued to the surface of the window frame opening using doublesided foam tape, so as not to obstruct the window. The roller blind **SRT SPACE** is provided with the self-locking mechanism with chain, which allows to stop the shutter at any height. The proposed solution is also adapted to use "day&night" fabrics (SRT SPACE D&N), which due to their structure allow for easy adjustment of light access.



Elegance & Simplicity

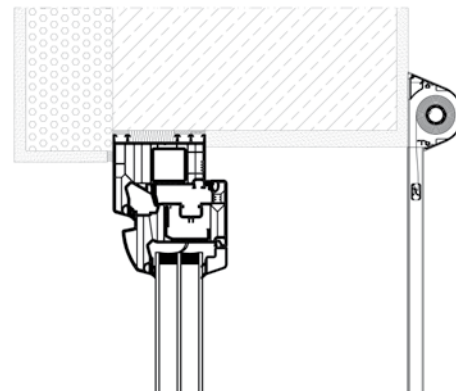
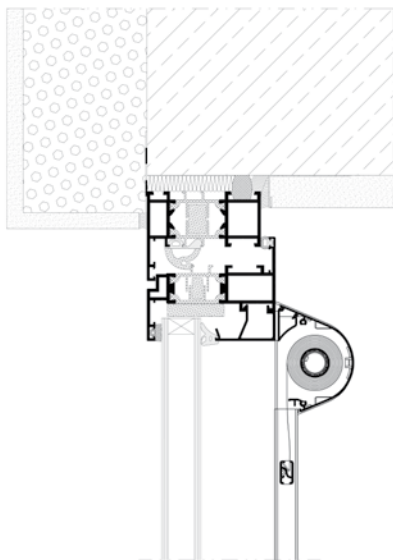


SRT SPACE



SRT SPACE D&N

EXAMPLES OF CONSTRUCTIONS



roller shutter – SRT SPACE

Ease of use

The roller blind SRT SPACE is provided with the self-locking mechanism with chain, which allows to stop the shutter at any height. Chain guide secures the loop against free sagging.

Practical values

The advantage of roller blinds is not only protection against intense sunlight, but also from the eyes of undesirable persons. Fabrics used in such products also guarantee effective optical barrier for light penetrating into the room. They eliminate reflections that can occur on computer screens or television sets. The proposed solution is also adapted to use "day&night" fabrics (SRT SPACE D&N), which due to their structure allow for easy adjustment of light access.

Colour charts

Available range of colors of structural elements of the roller blinds allow to fit perfectly to window frames, that may satisfy the needs of even the most demanding customers.

New

Textile shutter system

FLAT



Roller blind system **SRT FLAT** is a modern solution, which can be installed in every interior and fulfils expectations of the most demanding users. A slim, streamlined shutter box made of extruded aluminium ensures the elegant design of the system. Its thoughtful design allows for a wider opening of windows with the shutter installed on the wing. Owing to the designed fin, the shutter box can be fixed using a special double-sided tape, or directly mounted to the window frame using screws. **FLAT** system is equipped with flat aluminium guide channels, which are glued directly to the glazing beads. Their shape fits perfectly to the window woodwork, making the construction of roller blind almost invisible. The roller blind is provided with the self-locking mechanism with chain, which allows to stop the shutter at any height. Its installation or possible replacement is very fast and simple. The system is also adapted to use "day&night" fabrics (SRT FLAT D&N), which like the façade blinds allow for easy adjustment of light access.



Perfect match

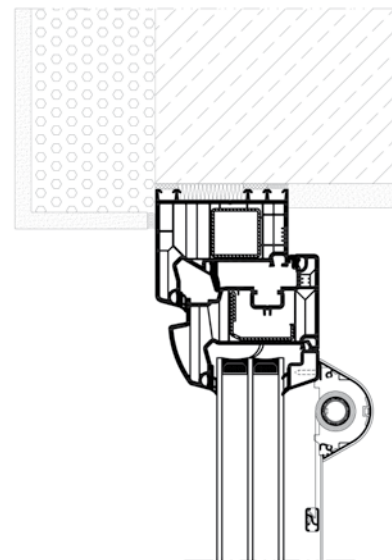
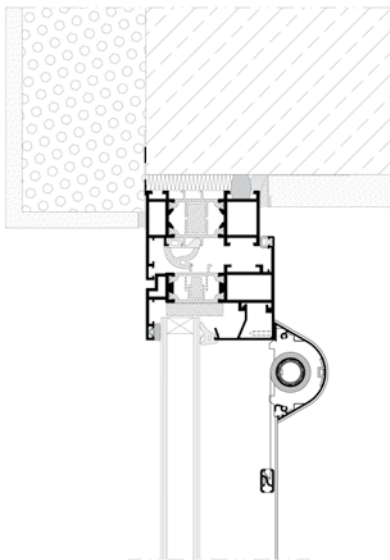


SRT FLAT



SRT FLAT D&N

EXAMPLES OF CONSTRUCTIONS



roller shutter – SRT FLAT

Ease of use

The roller blind is provided with the self-locking mechanism with chain, which allows to stop the shutter at any height. Its installation or possible replacement is very fast and simple. Chain guide (tensioning mechanism) minimizes the risk of dangerous loops.

Practical values

These products are the perfect combination of functional and aesthetic values. Owing to well selected fabric they can also constitute a stylish addition that will give a unique character to any interior. Roller blinds is not only protection against intense sunlight, but also from the eyes of undesirable persons. The system is also adapted to use "day&night" fabrics (SRT FLAT D&N), which like the façade blinds allow for easy adjustment of light access.

Colour charts

Available range of colors of structural elements of the roller blinds allow to fit perfectly to window frames, that may satisfy the needs of even the most demanding customers.

New

Textile shutter system

FREE



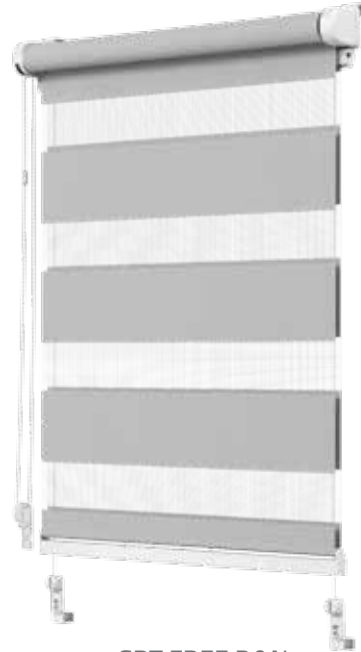
Roller blind system **SRT FREE** belongs to the family of the simplest and also the most commonly used means of shading. It is a shutter box free solution, designed to be directly installed on the window wing. Due to the specially designed non-invasive handles, installation of the system is extremely simple and does not require much effort. A characteristic feature of the roller blind in the **FREE** system is a line – guidance which, in contrast to this type of products available on the market is placed under the fabric. This aesthetic procedure allows to secure the line against catching while opening the window, which could cause its damage. The **SRT FREE** system features an innovative solution of line tensioning in the selflocking system. Durable and reliable design of this element allows for easy installation on a window wing. Self-locking mechanism with chain, used in the system allows to stop the shutter at any height. Its installation or possible replacement is very fast and simple. An option with “day&night” fabrics (SRT FLAT D&N), which enables adjustment of the incoming light to complete darkness.



Functionality and aesthetics

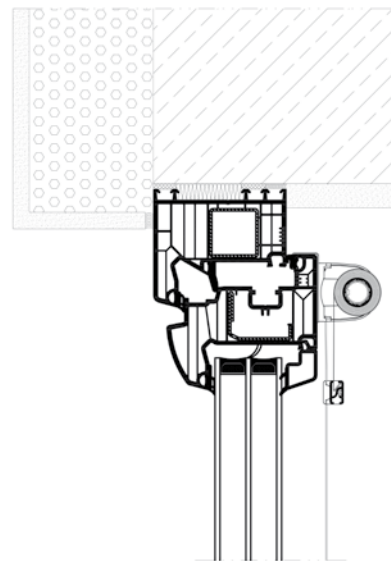
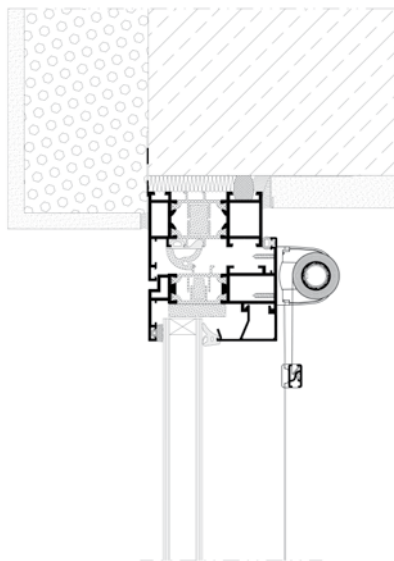


SRT FREE



SRT FREE D&N

EXAMPLES OF CONSTRUCTIONS



roller shutter – SRT FREE

Ease of use

Self-locking mechanism with chain, used in the system allows to stop the shutter at any height. Its installation or possible replacement is very fast and simple. Tensioning mechanism minimizes the risk of hazardous loops, which can cause harm to children.

Practical values

Simple and easy to install roller blinds provide adequate shading in the room. Due to the possibility of use of variety of fabrics, they ensure also the aesthetics look of each interior. An option with "day&night" fabrics (SRT FLAT D&N), which enables adjustment of the incoming light to complete darkness.

Colour charts

Available range of colors of structural elements of the roller blinds allow to fit perfectly to window frames, that may satisfy the needs of even the most demanding customers.

Smart control system

ZenPro SmartControl



ZenPro SmartControl is an innovative solution from Aluprof, designed to provide comfort and safety for its users. Controlling your roller shutters is now easy and convenient thanks to Aluprof's state-of-the-art solutions and comfortable. This smart technology enables you to control your roller shutters from virtually anywhere and at any time of the day or night – to do so, you just need your PC, tablet or smartphone. Our free and very user-friendly application with a comfortable and modern interface allows you to create and manage groups of devices such as roller shutters, gates, venetian blinds, awnings and now also lighting.



Your HOME is **under control!**

ROLLER SHUTTER CONTROLLERS



Saving energy

In winter, when conditions are unfavourable, we can just close our roller shutters to protect the interior spaces against heat loss and, when the sun comes out, we simply let the sun's rays to penetrate into the room. And during hot summer days, we can prevent excessive heating of interior spaces, thereby reducing the consumption of air conditioning and creating a friendly ambience for home occupants – it's as simple as that. Besides that, due to the lightning management, we can turn off the unnecessarily used lamp remotely. Thus allow to avoid additional costs.

Reduce running costs of buildings

This intelligent control system reduces your energy bills both in winter and in summer – up to 30% per year. This solution may also contribute to decrease of power consumption and hence the costs of energy, while chronic forgetting to turn off the lights.

Protect your home

Auto programming allows you to operate your roller shutters or turn on the light at desired time, simulating the presence of family members, which often deters burglars.

Let the comfort surround you

The ability to group your shutters and to create "scripts" allows you to manage your product the way you like it. For example, the "WAKE UP" script starts your roller shutters at 7 am.

Feel safe

Connection encryption prevents third parties from accessing your user panel, making it impossible to control your devices without a password [security encryption at a bank level].



Air inlet **EAH**


















The Aluprof **EAH** humidity sensitive air inlet is a device which facilitates the flow of fresh air into rooms and other interior spaces. Even with the windows tightly closed, it will still allow a continuous flow of fresh air in line with the volume prescribed by the relevant regulations. The **EAH** is designed for use with top-mounted roller shutters. The air inlets are compatible with all **SKT OPOTERM** roller-box sizes, with or without fly screens. It can be fitted to previously installed and new roller shutter. The Aluprof **EAH** air inlet is controlled automatically and does not require a power supply. As the relative humidity in the room fluctuates, the device automatically adjusts the opening; the higher the humidity, the further the air inlet opens and the greater the inflow of air. It is also possible to manually set the aperture at the "minimum" position (optional).



Fresh air supply

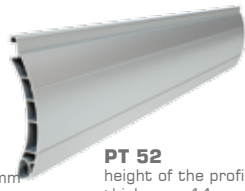
OPERATORS, SECURITY DEVICES AND ACCESSORIES

PHOTO	DESCRIPTION											
		SK	SKP	SKO	SKO-P	SP	SP-E	SKN B+H	OPOTERM	BGR	BPR	BKR
	Coilers (line/strip)	+	+	+	+	+	+	+	+			
	Flush-mounted strip coiler	+	+	+	+	+	+	+	+			
	Insulated flush-mounted strip coiler							+				
	Box with gear line/strip	+	+	+	+	+	+	+	+			
	Hand-crank	+	+	+	+	+	+		+	+	+	+
	Springs	+	+	+	+	+	+					
	Electric actuators	+	+	+	+	+	+	+	+	+		+
	Basal drives										+	+
	Key-operated switch and rocker switch	+	+	+	+	+	+	+	+	+	+	+
	Time switch	+	+	+	+	+	+	+	+	+	+	+
	Remote controllers	+	+	+	+	+	+	+	+	+	+	+
	Control dashboards	+	+	+	+	+	+	+	+	+	+	+
	Blocking hangers	+	+	+	+	+	+		+	+		+
	Photocells									+	+	+
	Protection of the closing edge									+	+	+

ROLLER SHUTTER, GATE & GRILLE PROFILES



PT 37
height of the profile: 37 mm
thickness: 8 mm



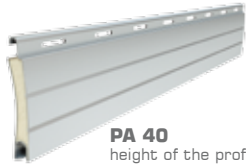
PT 52
height of the profile: 52 mm
thickness: 14 mm



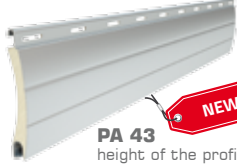
PA 37
height of the profile: 37 mm
thickness: 8,5 mm



PA 39
height of the profile: 39 mm
thickness: 9 mm



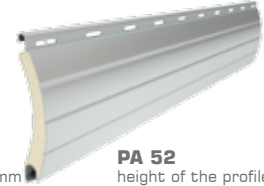
PA 40
height of the profile: 40 mm
thickness: 8,7 mm



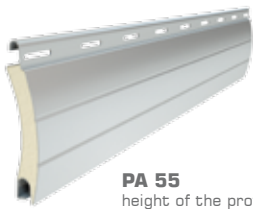
PA 43
height of the profile: 43 mm
thickness: 8,8 mm



PA 45
height of the profile: 45 mm
thickness: 9 mm



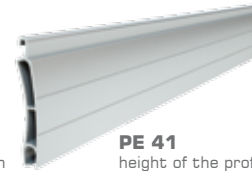
PA 52
height of the profile: 52 mm
thickness: 13 mm



PA 55
height of the profile: 55 mm
thickness: 14 mm



PA 77
height of the profile: 77 mm
thickness: 18,5 mm



PE 41
height of the profile: 41 mm
thickness: 8,5 mm



PE 55
height of the profile: 55 mm
thickness: 14 mm



PE 100
height of the profile: 100 mm
thickness: 25 mm



PEK 52
height of the profile: 52 mm
thickness: 13 mm



PEKP 52
height of the profile: 52 mm
thickness: 13 mm



PEK 77
height of the profile: 77 mm
thickness: 18,5 mm



PEKP 77
height of the profile: 77 mm
thickness: 18,5 mm



PEK 80
height of the profile: 80 mm
thickness: 18,5 mm



PEKP 80
height of the profile: 80 mm
thickness: 18,5 mm



PEKO 80
height of the profile: 80 mm
thickness: 18,5 mm



PEK 100
height of the profile: 100 mm
thickness: 25 mm



PER 77
height of the profile: 77 mm
thickness: 18,5 mm



PEW 77
height of the profile: 77 mm
thickness: 14,5 mm



PEW 100
height of the profile: 100 mm
thickness: 25 mm

AVAILABLE PROFILE COLOURS

COLOUR	CODE	PT 37	PT 52	PA 37	PA 39	PA 40	PA 43	PA 45	PA 52	PA 55	PA 77	PE 41	PE 55	PEK 52	PEKP 52	PER 77	PEW 77	PEK 77	PEKP 77	PEK 80	PEKP 80	PEK 100	PE 100	PER 100	S_ONRO
	x=00											+	+	+	+	+	+	+	+	+	+	+	+	+	
	x=01			+	+	+	+	+	+	+	+														+
	x=02			+	+	+	+	+	+	+	+	+	+	+	+	+	+	+	+	+	+	+	+	+	+
	x=03	+	+	+	+	+	+	+	+	+	+	+	+	+	+	+	+	+	+	+	+	+	+	+	+
	x=04				+	+	+																		
	x=05	+	+	+	+	+	+	+	+	+	+	+	+	+	+	+	+	+	+	+	+	+	+	+	
	x=06			+	+	+	+	+	+	+	+														
	x=07			+	+	+				+															
	x=08			+	+	+	+	+	+	+	+	+	+	+	+	+	+	+	+	+	+	+	+	+	+
	x=09			+	+	+	+	+	+	+	+	+	+	+	+	+	+	+	+	+	+	+	+	+	+
	x=11				+																				
	x=12				+						+														
	x=13			+	+				+		+														
	x=14										+														
	x=15			+	+	+	+	+	+	+	+														
	x=16			+	+	+	+	+		+															
	x=17			+	+	+				+	+														
	x=18			+	+	+				+															
	x=19			+	+	+																			
	x=20			+	+	+	+				+														
	x=22	+	+		+	+	+	+	+	+	+														
	x=23			+	+	+	+	+	+	+	+														+
	x=24			+	+		+	+		+	+														
	x=26			+	+		+	+																	
	x=28			+	+		+	+	+		+														
	x=30			+	+		+	+	+	+	+														
	x=31			+	+		+		+																
	x=33				+		+																		
	x=34			+	+	+	+	+	+	+	+														
	x=35				+		+																		
	x=36			+	+		+	+	+																
	x=37				+		+		+																
	x=38			+	+				+																
	x=39			+	+				+																
	x=40			+	+				+			+	+	+	+					+	+	+	+	+	+
	x=41											+	+	+	+					+	+	+	+	+	+
	x=42											+	+	+	+					+	+	+	+	+	+
	x=43			+	+				+			+	+	+	+					+	+	+	+	+	+
	x=44											+	+	+	+					+	+	+	+	+	+
	x=52				+		+	+	+																
	x=26Ry										+														
	x=27Ry										+														
	x=28Ry										+														
	x=30Ry										+														

x – colour * – special colour - for order R – decorative foil wrapped y – wrapped face of the profile

DOORS & WINDOWS

25%
of heat loss

DOORS & WINDOWS

60%
of sunlight

Roller shutters and **energy balance** of a building

Do you know that...

In winter, windows and doors contribute to a loss of **25%** of the heat and in summer they absorb the sunlight in **60%**, that causes overheating of rooms. To avoid this, it is worth to apply the Aluprof roller shutters which help to reduce energy costs during the whole year up to 30%.





2915 Red Hill Avenue #C107
Costa Mesa, Ca 92626
(323) 522-4833

www.arkawindowsdoors.com



Roller shutter, garage doors and insect screens systems overview